

# BRACKETT AIR FILTERS

## INSTRUCTIONS

ASSEMBLY PART NO. BA-8610

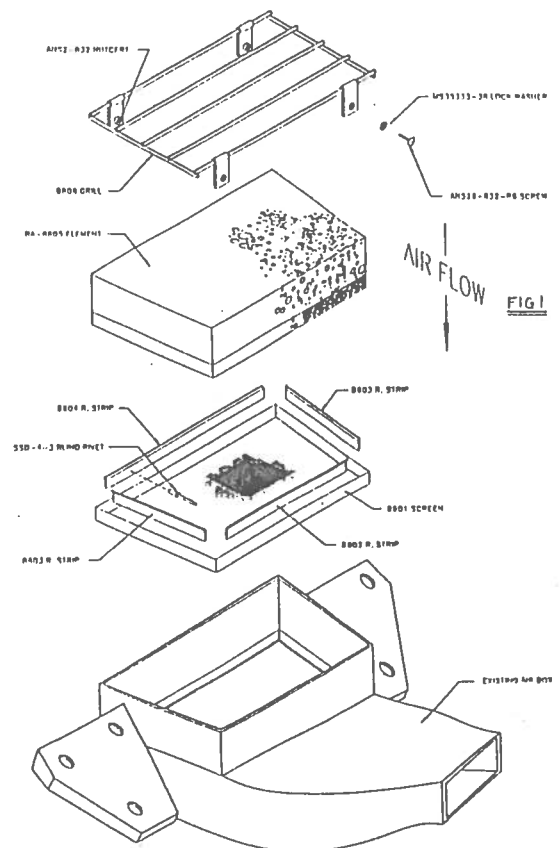
APPROVED ON AIRCRAFT MODELS: PA-23-250 "Aztec"  
PA-E23-250  
with Airesearch Turbosuperchargers  
STC No. SA909WE

FAA APPROVAL DATA: STC-SA71GL List No. 1  
FAA-PMA Supplement No. 1

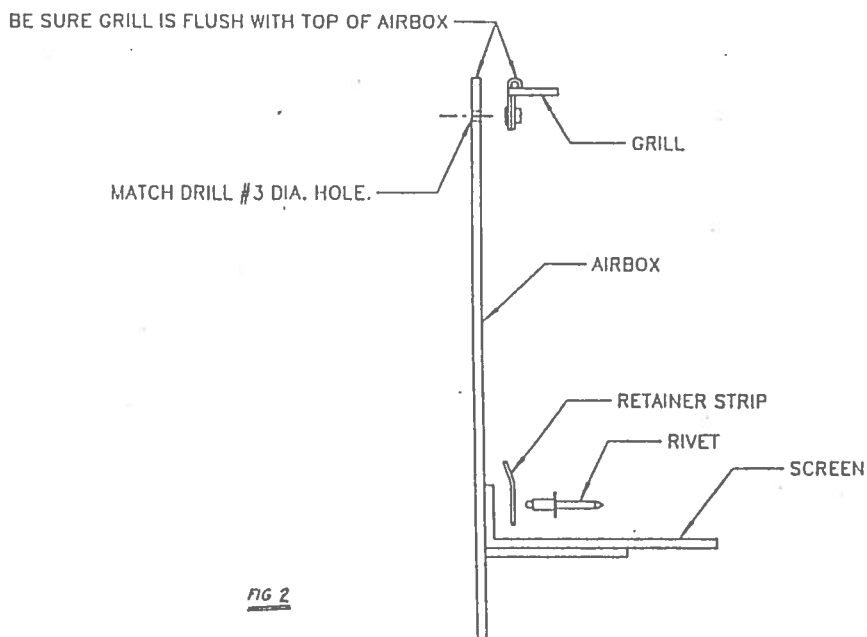
Your new polyurethane air filter element has been designed to provide maximum dust collecting efficiency, non-restrictive air flow and economical element replacement while maintaining a lightweight filter. The element has been treated with a special treatment called a wetted agent and is approximately 98% efficient. In addition the element has received a fire retardant treatment. The special wetted agent is the secret to efficiency of capturing dust and repelling water. For the above reasons, replace the element each 200 hours of use/12 months or when 50% covered with foreign material. DO NOT WASH AND REUSE.

### INSTALLATION INSTRUCTIONS

- Step 1. Remove original filter and air box. (Reference Piper and Airesearch Service Manual) Clean & inspect air box for any irregularities.
- Step 2. Install screen BA-8601 with bent flanges forward (see Fig. 1.)



- Step 3. Install aluminum retainer strips BA-8602, BA-8603, and BA-8604 with crease to cover screen ends (see Fig. 2).
- Step 4. Install blind rivets SSD-4-3 with 3 ea. in 8602 and 8604 retainers, 2 ea. in 8603 retainers. All rivets to be equally spaced.
- Step 5. Fit grill BA-8606 with nutcert tabs (inside airbox) flush with edge of airbox. Match drill 4 holes (#3 diameter) for grill screws (Fig 2).
- Step 6. Clean area of any chips and debris, apply service decal in a readable manner then reinstall airbox opposite removal procedure.
- Step 7. Install element BA-8605 with "ENGINE SIDE" stenciled toward screen, fasten with screws and lockwashers provided.
- Step 8. NOTE: After initial installation of filter assembly fill out FAA Form 337 for return to service. On future replacement of parts this form will not be required.



SERVICING: Under normal conditions, replace filter element, PN BA-8605, after 200 hours use or 1 year intervals. Under severely dusty conditions, check daily and replace when element is 50% covered with foreign material.